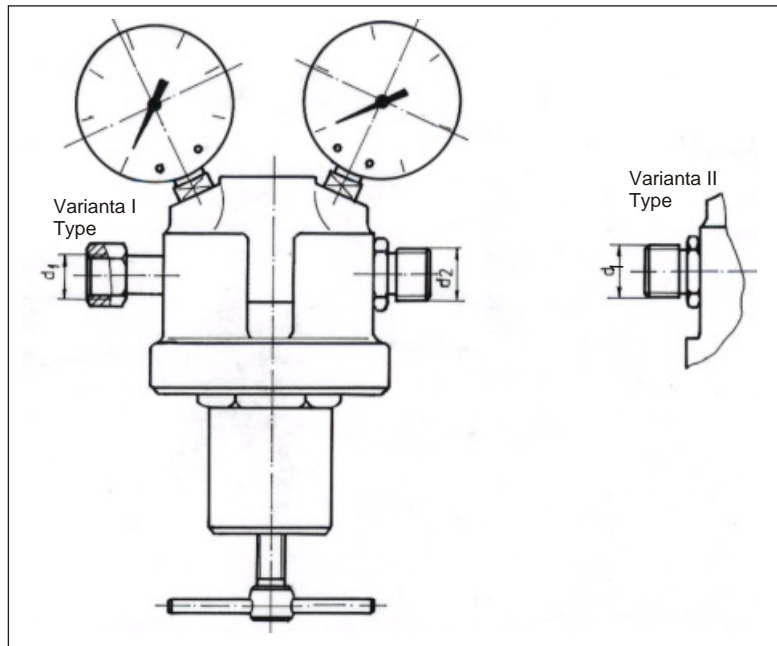


REDUCTOR DE PRESIUNE PENTRU CONDUCTE DE GAZE PRESSURE REDUCER FOR GAS TUBES RPC - *



CARACTERISTICI TEHNICE TECHNICAL CHARACTERISTICS

- Material :alama.
- Dimensiuni de gabarit [mm] : 230x155x96.
- Temperatura de functionare : - 20 °C... +60 °C.
- Material : brass.
- Overall dimensions [mm] : 230x155x96.
- Working temperature :-20 °C...+ 60 °C.

Tipul gazului Gas type	Simbol gaz Symb. gas *	Presiune nom. intrare(max.) Nominal inlet pressure (mm) [bar]	Presiune nom. iesire(max.) Nominal outlet pressure (mm) [bar]	Debit [m³/h] Flow	d1		d2
					Varianta I Type I	Varianta II Type II	
Oxygen	O	40	6,5	40	G3/4	G3/4 G1/2	G3/4 G1/2
Azot Nitrogen	N		4				
Dioxid de carbon Carbon dioxide	K		6,5				
Aer Comprimat Compressed air	D	15	1,5	40	G3/4LH	G3/4LH G1/2LH	G3/4LH G1/2LH
Acetilena Acetylene	A						

TRUSE DE SUDARE SI TAIERE OXIGAZ;REDUCTOARE DE PRESIUNE PENTRU BUTELII DE GAZE;ROBINETI PENTRU BUTELII DE GAZE;
APARATE DE TAIERE OXIGAZ;GENERATOARE SI MINIGENERATOARE ACETILENA; ROBINETI CU SFERA; ECHIPAMENT MEDICAL;
ECHIPAMENT PENTRU INSTALATII SI REțele DE GAZE; CONFECTII METALICE; PIESE TURNATE DIN NEFEROASE; SERVICE.

OXY-GAS CUTTING AND WELDING KITS; PRESSURE REDUCERS FOR GAS CYLIDERS; ACETYLENE GENERATORS AND MINIGENERATORS ;
ALL VALVES ;MEDICAL EQUIPMENT; DEVICES FOR DIVING EQUIPMENT; EQUIPMENT FOR GAS INSTALLATION AND NETWORKS; METAL
CONSTRUCTION ;NON - FERROUS METAL CASTINGS;; SERVICE.